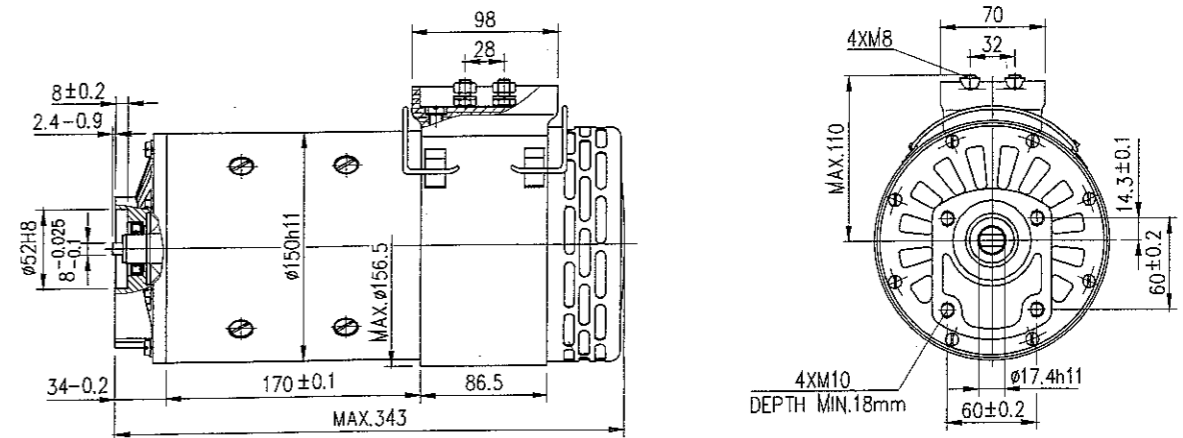
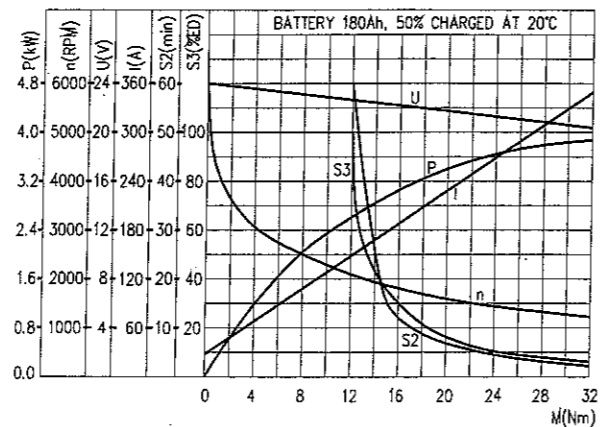
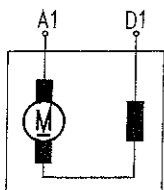


code	type	Rated voltage (V)	Nominal power (kW)	Nr. of revolution (RPM)	operation	rotation	Mass (kg)
24V							
11.216.210	XX	AMP4517 24V 3.0kW	24	3	1800	S2 - 12 min S3 - 30%ED	⇐ 20



code	type	Rated voltage (V)	Nominal power (kW)	Nr. of revolution (RPM)	operation	rotation	Mass (kg)	characteristic
24V								
11.214.254		AMP4643 24V 4.1kW	24	4.1	1200	S3 - 10%ED	⇒	22
36V								
11.216.004		AMP4512 36V 4.1kW	36	4.1	2200	S2 - 25min S3 - 40%ED	⇒	22

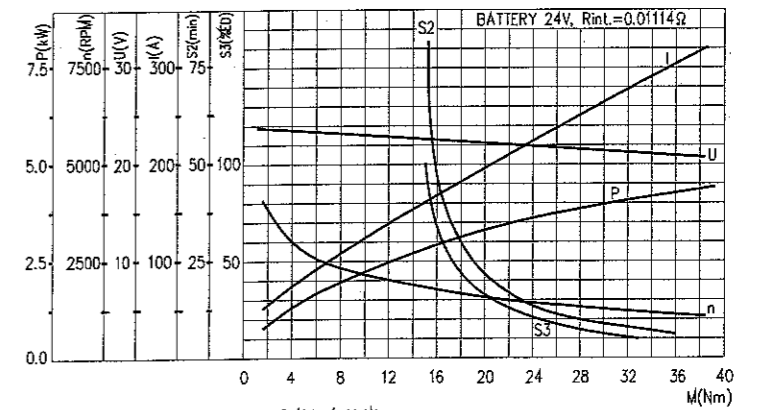
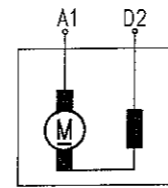


fig.1 24V 4.1kW

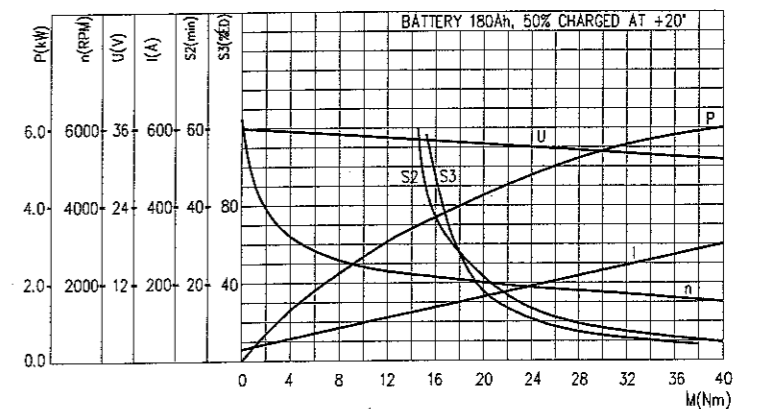


fig.2 36V 4.1kW